

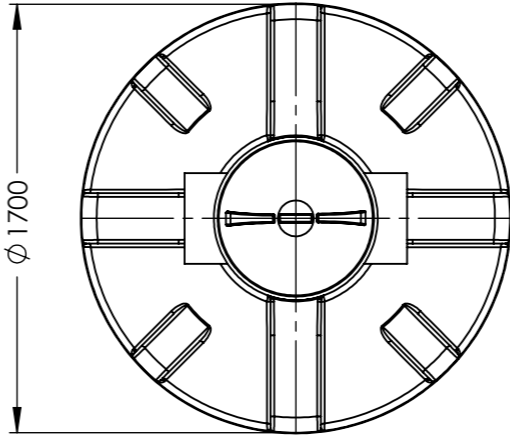
ITEM NO.	PART NUMBER	DESCRIPTION	QTY.
1	172214	4500L Vertical tank	1
2	135367-PE	Ø 600 DN50 AB airgap turret	1

DESIGN DATA	
DESIGN PRESSURE: ATMOSPHERIC	MAXIMUM CAPACITY (LTRS): 4880
DESIGN TEMPERATURE: 40°C	WORKING CAPACITY (LTRS): -
WORKING PRESSURE: ATMOSPHERIC	APPROX. WEIGHT FULL (KGS): 4990
WORKING TEMPERATURE: 40°C	APPROX. WEIGHT EMPTY (KGS): 110
MOULDED LIFTING LUGS: 4 - 0°, 90°, 180° & 270°	
METHOD OF SUPPORT: FIRM, FLAT, FULLY SUPPORTING BASE OF CONCRETE OR OTHER SUITABLE MATEREAL	

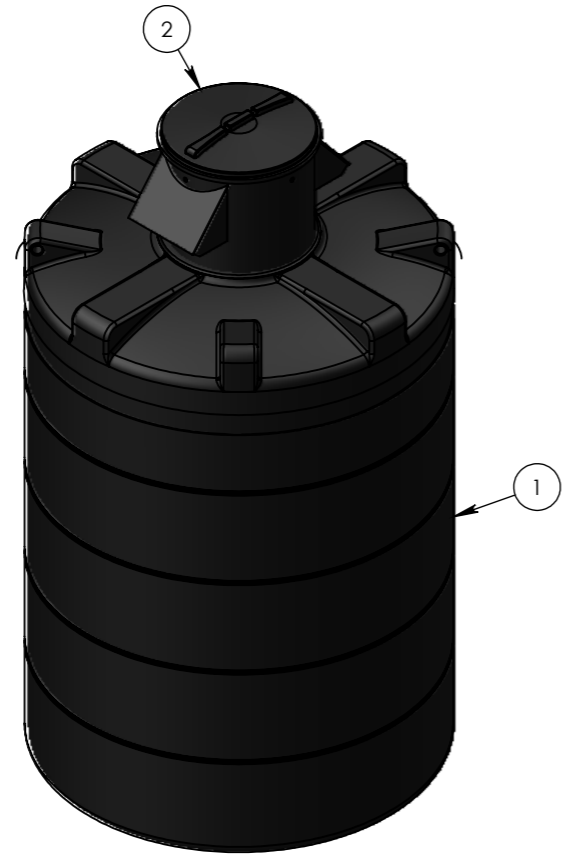
MATERIAL DATA
MATERIALS OF CONSTRUCTION: MATRIX REVOLVE N-307. REVOLVE IS A HIGH DENSITY (0.939 g/cm3), LOW MELT (3.5 g/ 10 min) HEXENE POLYETHYLENE GRADE FOR ROTOMOULDING. THE GRADE IS FULLY PROTECTED AGAINST THERMAL AND LIGHT DEGRADATION: N-307 IS UV10 STABILISED.

INSPECTION AND TESTING
WORKS TEST: ALL TANKS ARE THICKNESS TESTED BY ULTRASOUND AFTER DEMOULD IN ADDITION AIR SUPPORTED LEAK TEST ARE CARRIED OUT ON FLANGE LINES.

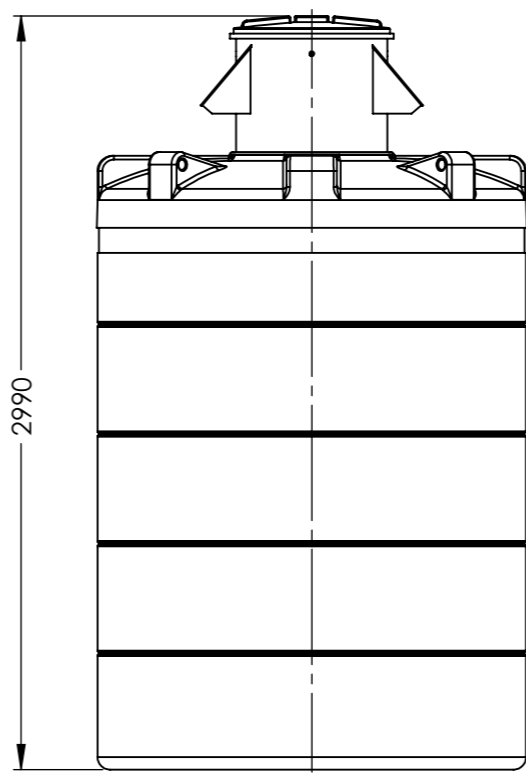
NOTE SECTION



PLAN VIEW



LEFT ISO VIEW



FRONT VIEW

	NAME	SIGNATURE	DATE
DRAWN	LC	L.Crane	02/06/2021
CHECKED			

UNLESS OTHERWISE SPECIFIED:
DIMENSIONS ARE IN MILLIMETERS
SURFACE FINISH: MDPE
TOLERANCES: ±3%

3RD ANGLE PROJECTION

DO NOT SCALE DRAWING REVISION: -

ENDURAMAXX®
FLUID MANAGEMENT INNOVATION

DWG TITLE:
4500L Vertical tank - 2" AB Airgap

DWG NO: 172214-4500L-VERTICAL A3

SCALE: 1:30 SHEET 3 OF 3