

Think Tank. Think ENDURATANK

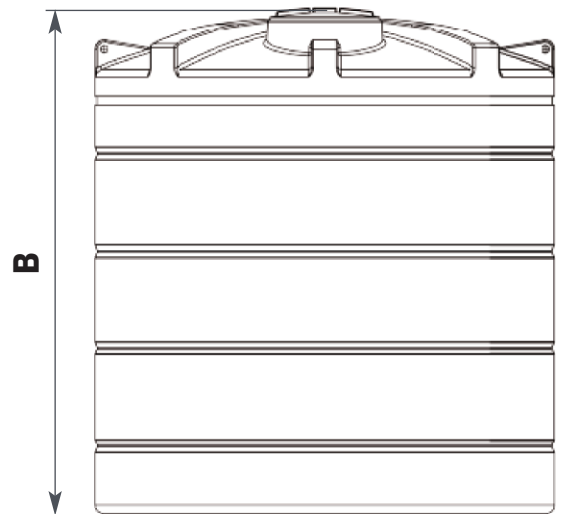
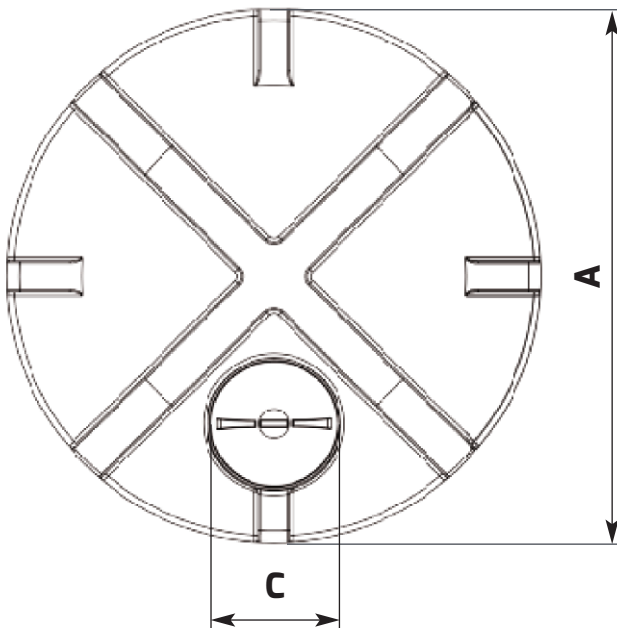
**NEED
MORE HELP?
CALL US ON
01778 562810**



VERTICAL TANK TECHNICAL SPECIFICATION

MOLASSES	1722251-M		
CAPACITY (Litres)	12500	CAPACITY (Gallons)	2749

A (mm)	2600	B (mm)	2830
C (mm)	620	Standard Outlet	2"



Please note:
Tank sizes quoted are subject to a +/- 3% variation

ENDURATANK

© Enduramaxx 2016. Copyright of this drawing is reserved by Enduramaxx. The issue of this drawing is confidential disclosure of its contents, and is made conditional that it is neither disclosed to a third party, nor any item described herein and designed by Enduramaxx is produced either in whole or in part without the written consent of Enduramaxx.



Endurata tank part of the Enduramaxx Family
01778 562810 sales@endurata tank.co.uk

Visit us at www.endurata tank.co.uk