

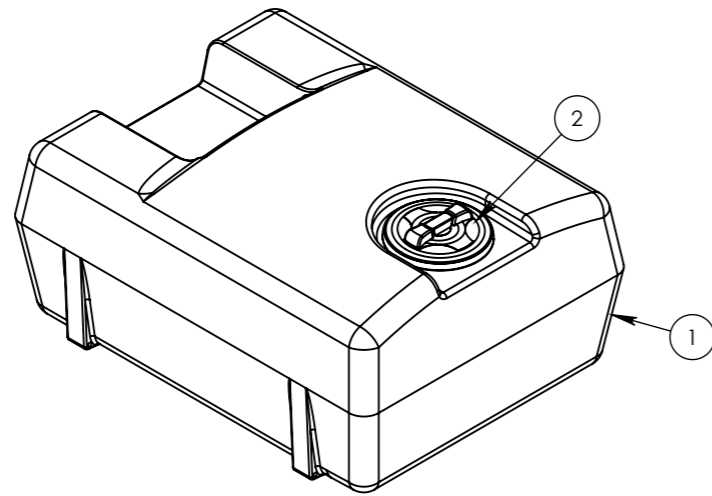
ITEM NO.	PART NUMBER	DESCRIPTION	QTY.
1	173017	400L PIN MOUNT TANK	1
2	135322	Ø255 SCREW LID & RIM	1

DESIGN DATA	
DESIGN PRESSURE: ATMOSPHERIC	MAXIMUM CAPACITY (LTRS):
DESIGN TEMPERATURE: 40°C	WORKING CAPACITY (LTRS):
WORKING PRESSURE: ATMOSPHERIC	APPROX. WEIGHT FULL (KGS):
WORKING TEMPERATURE: 40°C	APPROX. WEIGHT EMPTY (KGS):
MOULDED LIFTING LUGS: 4 - 0°, 90°, 180° & 270°	
METHOD OF SUPPORT: FIRM, FLAT, FULLY SUPPORTING BASE OF CONCRETE OR OTHER SUITABLE MATERIAL	

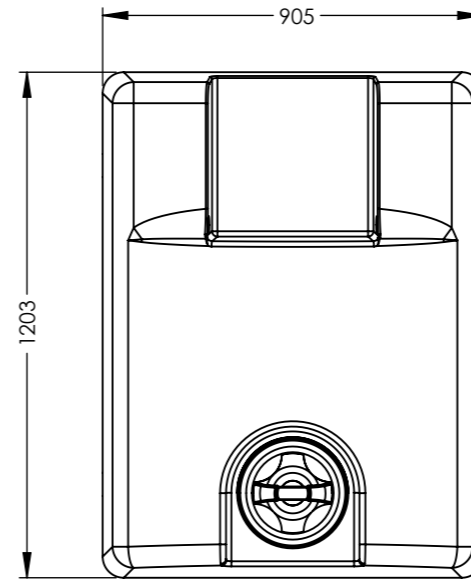
MATERIAL DATA
MATERIALS OF CONSTRUCTION:
MATRIX REVOLVE N-307. REVOLVE IS A HIGH DENSITY (0.939 g/cm3), LOW MELT (3.5 g/ 10 min) HEXENE POLYETHYLENE GRADE FOR ROTOMOULDING. THE GRADE IS FULLY PROTECTED AGAINST THERMAL AND LIGHT DEGRADATION: N-307 IS UV10 STABILISED.

INSPECTION AND TESTING
WORKS TEST: ALL TANKS ARE THICKNESS TESTED BY ULTRASOUND AFTER DEMOULD. IN ADDITION, AIR SUPPORTED LEAK TEST ARE CARRIED OUT ON FLANGE LINES.

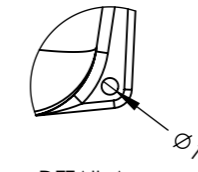
NOTE SECTION



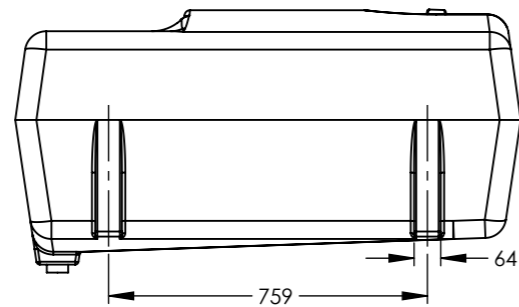
LEFT ISO VIEW



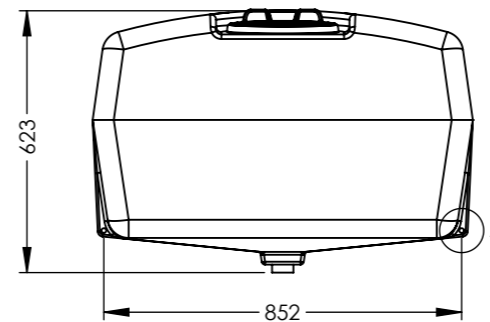
PLAN VIEW



DETAIL A  
SCALE 1 : 5



LEFT VIEW



FRONT VIEW

	NAME	SIGNATURE	DATE
DRAWN	LC	L.Crane	22/07/2024
CHECKED			

UNLESS OTHERWISE SPECIFIED: DIMENSIONS ARE IN MILLIMETERS SURFACE FINISH: MDPE TOLERANCES: ±3%	<p>3RD ANGLE PROJECTION</p>
---------------------------------------------------------------------------------------------------------	-----------------------------

DO NOT SCALE DRAWING	REVISION: -
----------------------	-------------

**ENDURAMAXX®**  
FLUID MANAGEMENT INNOVATION

DWG TITLE:  
400L PINMOUNT TANK

DWG NO: 173017-400-PINMOUNT	A3
-----------------------------	----

SCALE: 1:18	SHEET 1 OF 1
-------------	--------------